

# BP-F117 (BATTERY OPERATED) WALL MOUNTED SENSOR FAUCET CHROME-PLATED BRASS METAL BODY

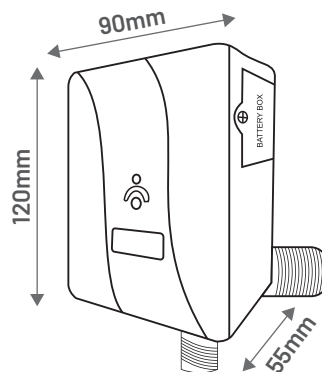
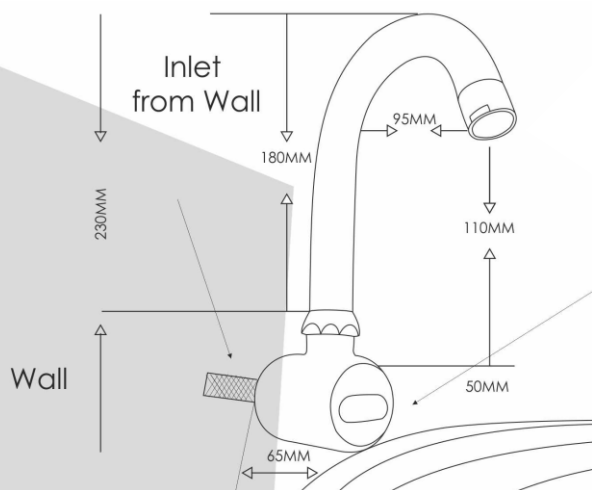


Rotatory Swan Neck Design With Linear Sensor For Seamless User Experience



- Input : AC/DC  
220V AC/ 6V DC
- Sensing range adjustable  
(150mm)
- Safety shut off  
(False sensing automatic cut off  
after 1 minute)
- Working water pressure  
(0.2 Mpa-0.8Mpa)
- Intelligent touchfree  
Infra-red sensor
- 15mm through control box with  
inbuilt solenoid valve

## DIMENSION



## ENHANCED CONTROL UNIT (Waterproof, Easy to serviceable)

EASY INSTALLATION WITH  
BACK MOUNTING CLAMP.  
REQUIRED ONLY 2 NOS SCREW  
FOR INSTALLATION

BATTERIES CAN BE REPLACED  
WITHOUT OPEN THE CONTROL UNIT



scan for website

BPE INNOVATIONS PVT. LTD.

ADD : A-23/19, Site-IV, Sahibabad  
Industrial Area, Ghaziabad (UP) 201010

Web : [www.bharatphoton.com](http://www.bharatphoton.com)

E-mail : [enq@bharatphoton.com](mailto:enq@bharatphoton.com)

TOLL FREE : 1800 121 6254