

BP-F067 (AC/DC OPERATED) BASIN MOUNTED SENSOR FAUCET CHROME-PLATED BRASS METAL BODY



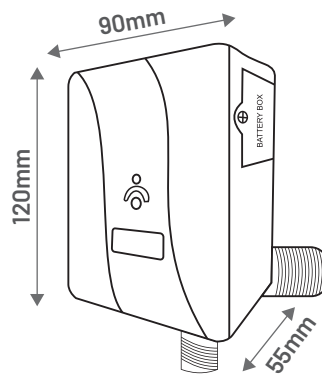
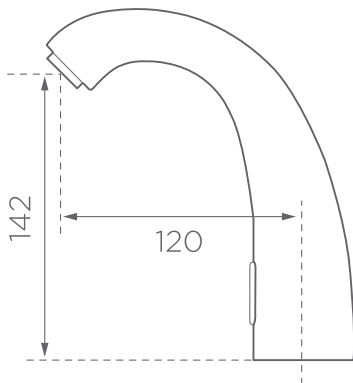
Ergonomically Designed in Swan Neck with Linear Sensor, Best Fit for All Sizes of Basin



- Input : AC/DC
220V AC/ 6V DC
- Sensing range adjustable
(150mm)
- Safety shut off
(False sensing automatic cut off
after 1 minute)
- Working water pressure
(0.2 Mpa-0.8Mpa)
- Intelligent touchfree
Infra-red sensor
- 15mm through control box with
inbuilt solenoid valve

DIMENSION

BASIN MOUNTED
AUTOMATIC SENSOR FAUCET



ENHANCED CONTROL UNIT
(Waterproof, Easy to serviceable)

EASY INSTALLATION WITH
BACK MOUNTING CLAMP.
REQUIRED ONLY 2 NOS SCREW
FOR INSTALLATION

BATTERIES CAN BE REPLACED
WITHOUT OPEN THE CONTROL UNIT



scan for website

BPE INNOVATIONS PVT. LTD.

ADD : A-23/19, Site-IV, Sahibabad
Industrial Area, Ghaziabad (UP) 201010

Web : www.bharatphoton.com

E-mail : enq@bharatphoton.com

TOLL FREE : 1800 121 6254