

Installation & User Manual

== FLUSHBUOY ==

EXPOSED AUTOMATIC SMART URINAL FLUSHER

READY TO FIT MODEL
TO AUTOMATE EXISTING MANUAL FLUSH
WITH NO CIVIL JOB REQUIRED



Flow Rate Table	Pressure (MPa)	0.02	0.05	0.1	0.2	0.3
	Average Flow rate (L/min)	3	9	14	18	23

Please read instruction in conjunction with the illustrations
Please save these instructions.

Bharat Photon[®]
where sensors mean 'India'

EXPOSED SMART URINAL FLUSHER

Product Features, Technical Specifications
& Package Contents

Installation & User Manual

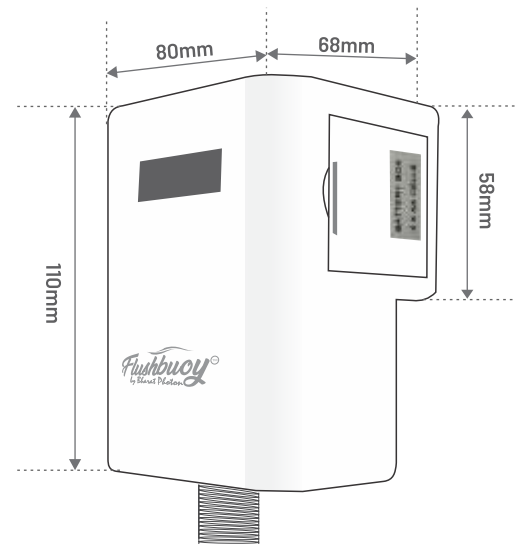


Product Features:

- *DESIGNED AND MANUFACTURED* in India to automatically Flush urinal pots/ closets after every use
 - An essential & dependable Component in every washroom to *MAINTAIN PROPER HYGIENE*.
 - Simultaneously instrumental to help *REDUCE WATER WASTAGE*
 - *INTELLIGENT FLUSHING* ensures your washroom remains *STINK FREE*
 - *RECOVERS ITS COST* by saving significant amount of water as compared to washrooms with continuously running flushing
 - Tried and tested *EASILY SERVICEABLE & LIFETIME REPAIRABLE* product, very adaptive to robust Indian conditions
 - India's No.1 self manufactured product - A *STRONG REPLY TO USE & THROW 'LOCALLY BRANDED IMPORTED MODELS'* marketed widely in India
 - *ESSENTIAL FOR GREEN BUILDINGS* and must for every public washroom
 - *REDUCES CARBON FOOTPRINT* & saves considerable amount of Operational Costs as compared to conventional flushing techniques
- SMART SENSORS FEATURES**
- Settings through remote
 - Can give live user count on remote
 - Can give live battery voltage on remote

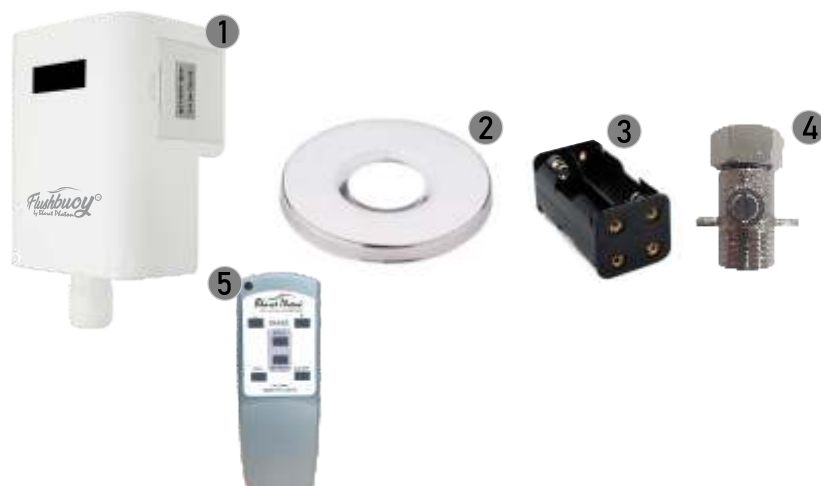
Technical Specification

Model	Flushbuoy
Power	4 AA Alkaline Batteries (6V DC)
Water Pressure	0.02Mpa - 0.8Mpa Temperature : 1-55°C
Sensing Distance	50-650mm
Sensor Confirmation Time	7 Sec
Flushing Mode	POST FLUSH after Urination
Deodorizing Flush	24 Hrs.
Inlet and Outlet Size	G ½ (Dn15)
Liter Per Flushing	0.5-3.0L
Flushing Time	7-8 Sec Postflush
Dimensions(mm) WxHxD	110x80x68
Warranty	2*Years



Package Contents:

1. Flushbuoy
2. 15mm (1/2") SS Flange
3. Battery pack (Inbuilt)
4. Brass Flow Control
5. Remote (User remote - on demand)



Exposed Urinal Flusher Troubleshooting

If the following problems occur, please perform checks as follows.

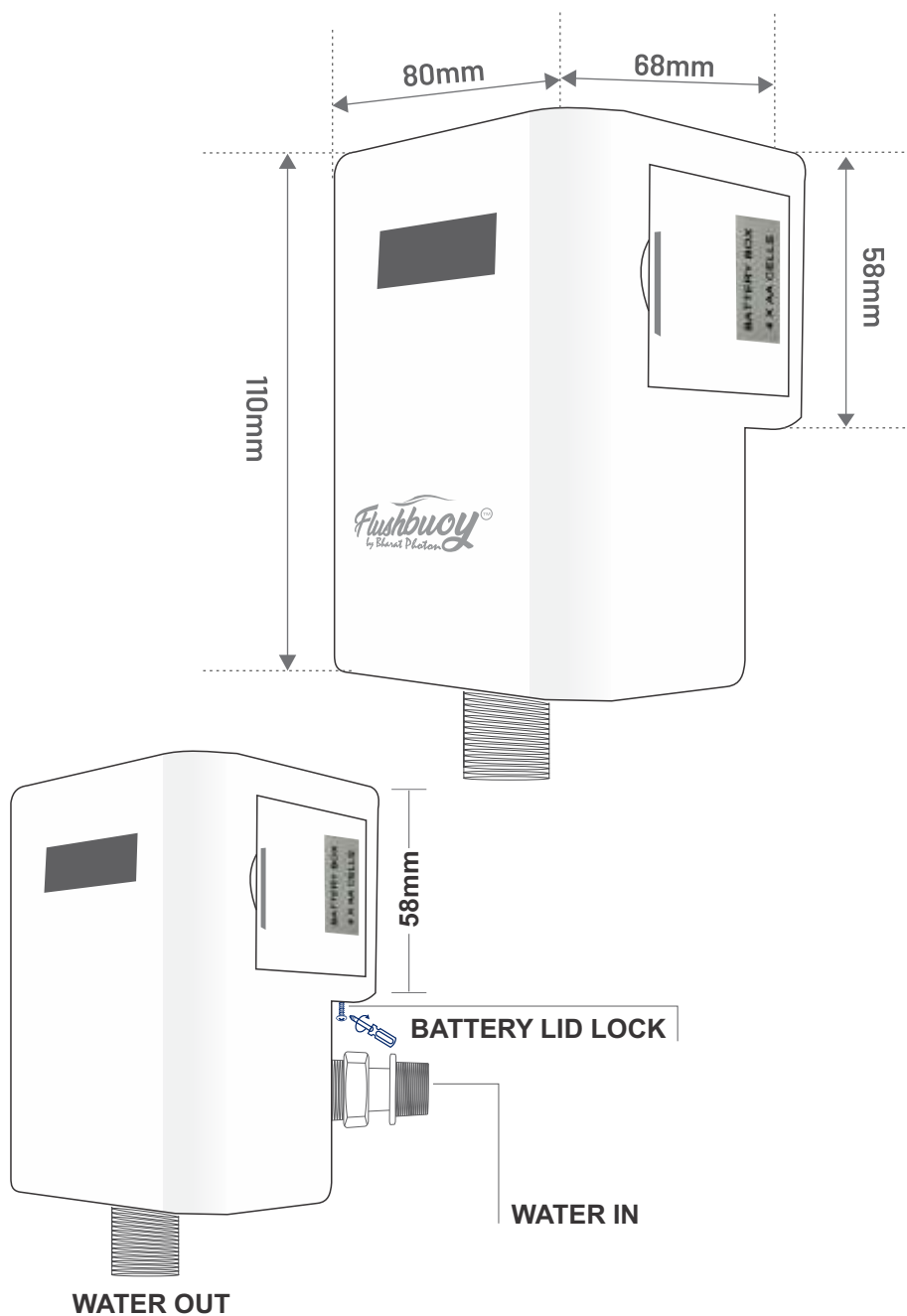
SYMPTOMS	PROBABLE CAUSES	CORRECTIVE ACTION
No sensing (Indicator not flashing).	<ol style="list-style-type: none"> 1. No power or battery connection not proper. 2. There is a mirror or some other reflectible objects within the sensing distance. 3. The sensing window needs cleaning. 	<ol style="list-style-type: none"> 1. Check the power connection. (Batteries) 2. Remove the reflective Object. 3. Clean the window.
No flushing or poor flushing while the indicator is flashing.	<ol style="list-style-type: none"> 1. Angle Valve not fully open. 2. Low water pressure. 3. Filter is obstructed. 4. Batteries are not connected well. 	<ol style="list-style-type: none"> 1. Check Angle Valve 2. Improve water supply pressure. 3. Clean the filter. 4. Check the batteries.
Battery indicating light flashes 3 times and no flushing.	Battery voltage down.	Replace batteries.
Reduced sensing distance.	Dark/non reflective clothes.	While wearing dark clothes, one needs to stand closer to sensor as sensing range is reduced.

Important Consumer Information

Consumer Responsibilities

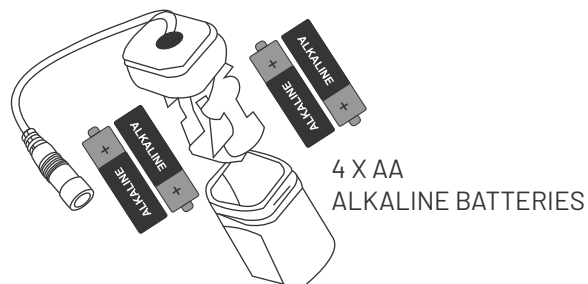
1. Do not hit with heavy object on sensor.
2. Do not throw or spray water on sensor. The sensor is an electronic instrument.
3. Do not let sunlight or other light source enter or be reflected into sensor window.
4. Do not hang or install any reflective items such as mirror or sensor products like toilet sensor on the opposite wall.
5. Do not allow any kind of strong ultraviolet or electromagnetic field near sensor window.
6. Always use Alkaline Batteries only
7. Urinal is designed for use with potable water. Avoid water that includes a lot of contaminants or acid/ alkali or impurities.
8. When AC power unit is connected to 220V AC power supply, corresponding protective measure like circuit breakers should be used.
9. Connection with AC wire must not be inside the sensor box. It should be outside box and covered by PVC pipes.
10. Do not connect power unit to AC power supply until the sensor installation is finished.
11. AC power supply and water supply should be shut off before starting maintenance/servicing of urinal sensor.
12. All electrical connection must be compliant with related regulation and codes.
13. All installation staff should be well familiar with installation instructions.

Concealed Urinal Flusher Dimensions



BATTERY INSTALLATION

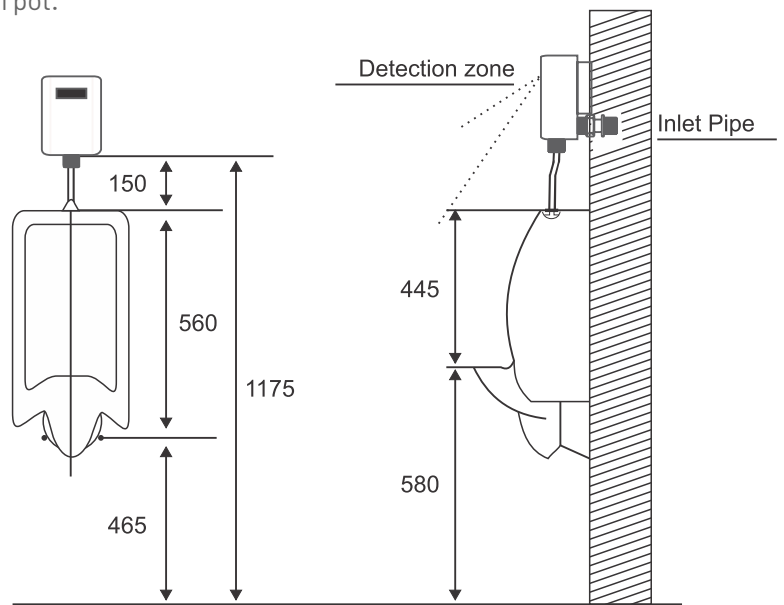
While inserting batteries into battery box, make sure that *POSITIVE-NEGATIVE MARKS* are followed and batteries are installed in right orientation this is important to have right connection of power and eliminate short-circuit drain out in batteries.



Installation Procedure

- STEP 1** Clean the pipeline by running 1~2 bucket water until dust particles like cement pieces or thread etc. are washed away
- STEP 2** Install 4 X AA size alkaline batteries (Duracell) by unscrewing the lid lock and opening the lid.
- STEP 3** Now system gets activated as blinking red indicator appears in sensor eye on sensing.
- STEP 4** Install the flow control with swivel nut coupling on the fixed pipe from wall and connect the swivel nut end to the inlet of the unit.
- STEP 5** Connect the outlet of unit from bottom to the urinal pot.

NOTE: Red blinking indicator is for sensing which must be done for 7-8 seconds continuously in order to lock operation.



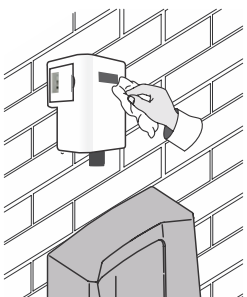
Installation Layout

A PRODUCT PROUDLY DESIGNED & MANUFACTURED IN INDIA

Notice : Installation location:

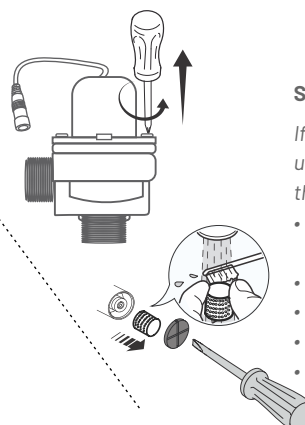
- No light shall enter or be reflected into the sensing window .
- No reflective objects in front of sensing window (e.g., mirror, polished stainless steel and some other polished plate).
- No strong ultraviolet radiation or electromagnetic field nearby.

CARE AND MAINTENANCE



Cleaning sensor window :

Keep the sensing window clean.
Wipe with soft cloth and mild cleaner.


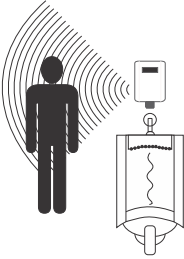
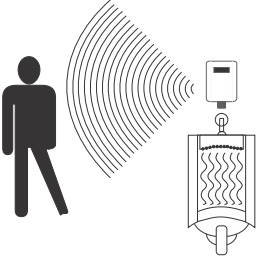
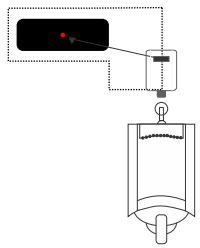


Solenoid valve cleaning

If the flushing volume declines sharply after installation or used for a long time with no cause from water pressure, the filter may need a wash.

- Turn off the supply by turning the control stop clockwise with a screw driver.
- Open the filter cap with a screw driver and take out the filter.
- Clean the filter with a brush and replace it.
- Close the filter cap and tighten it with a screw driver.
- Turn the control stop anticlockwise to turn on the water supply.

Operation and Working

SENSING	READY TO FLUSH	POST FLUSH AFTER URINATION	BATTERY LOW INDICATOR
 <p>It emits IR signal when man enters its detection zone. Red Indicator starts blinking</p>	 <p>Red indicator blinks fast after 7 sec. System ready to flush</p>	 <p>Main flushing occurs when man leaves its detection zone</p>	 <p>Three LED blinks & No flush means battery low Replace the battery</p>

Customer Support

• AFTER SALES SERVICE

Our Customer Support Team is Comprehensively trained to provide help and advice, spare parts or a service visit.

• SPARE PARTS

We maintain an extensive stock of spares and aim to have functional parts available for ten years from the date of final manufacture of the product. Spares can be purchased from approved stockiest or merchants (locations on request) or direct from our Customer Support Department. Spares direct will normally be dispatched within two working days.

• NOTE

In the interest of safety, spares requiring exposure to mains voltages can only be sent to qualified persons.

• SERVICE

Our Customer Support Team is available to provide quality service at a reasonable cost.

Please contact us at **TOLLFREE 1800 121 6254** in case of any trouble. We will be happy to assist you as our customers are our family.

Precaution

<p>AVOID DIRECT EXPOSURE TO SUNLIGHT</p> 	<p>DON'T CLEAN WITH ACID BASED CLEANER (WIPE WITH WET CLOTH)</p> 	<p>NO OBSTACLE WITHIN SENSING RANGE</p> 	<p>DON'T SPRAY WATER DIRECTLY</p> 
--	--	--	---

