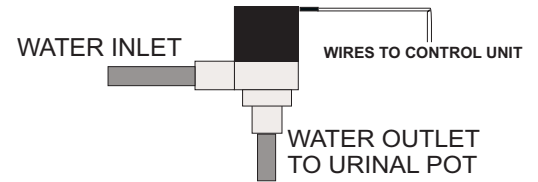


## ELECTRICAL RECESSED AUTOMATIC URINAL FLUSHER

### INSTALLATION & OPERATION MANUAL

### MODEL : BP-U105

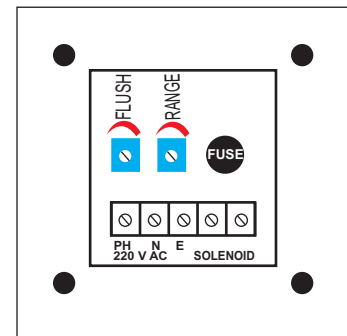


### SOLENOID VALVE

- STEP 1 :** Clean the pipeline by running 1~2 bucket water until Dust particles like cement pieces or thread etc. are washed away
- STEP 2 :** Now Connect the water line from the Gate Valve to the Solenoid Valve inlet as shown in the diagram
- STEP 3 :** Connect the outlet of Solenoid Valve to the GI Pipe fitting for the Urinal Pot
- STEP 4 :** Connect the wire thimble to the Solenoid Valve the leave the other end in the Concealed outer box for control unit connections

### SENSOR UNIT (BEFORE FIXING CERAMIC TILES)

- STEP 1 :** At approx. 4.5 ft height from the floor, conceal the outer box in the wall
- STEP 2 :** Leave following wires for connections through concealed PVC Conduit inside the outer box :
- (i) Three wires for 220 V AC Supply ( Ph, N and E )
  - (ii) Two wires from the Solenoid Valve
- STEP 3 :** Install Ceramic Tiles on the wall and complete all tiling and finishing jobs
- STEP 4 :** After tiling & finishing job is over, connect the wires in the outer box to the backside of Sensor Unit as shown :
- (i) Connect Ph, N & E to first three points of terminal strip as indicated
  - (ii) Connect the Solenoid Valve connections to the remaining two points of terminal strip



- STEP 5 :** The two adjustment pots are provided :
- (i) FLUSH : For adjustment of Flushing Time (The time for which water flows in the pot for flushing)
  - (ii) RANGE: For adjustment of sensing range of the unit
- (By default, two settings are at optimum value, change only if required at the site)

- STEP 6 :** Fix the unit in the outer box at the corners with four mirror screws provided.

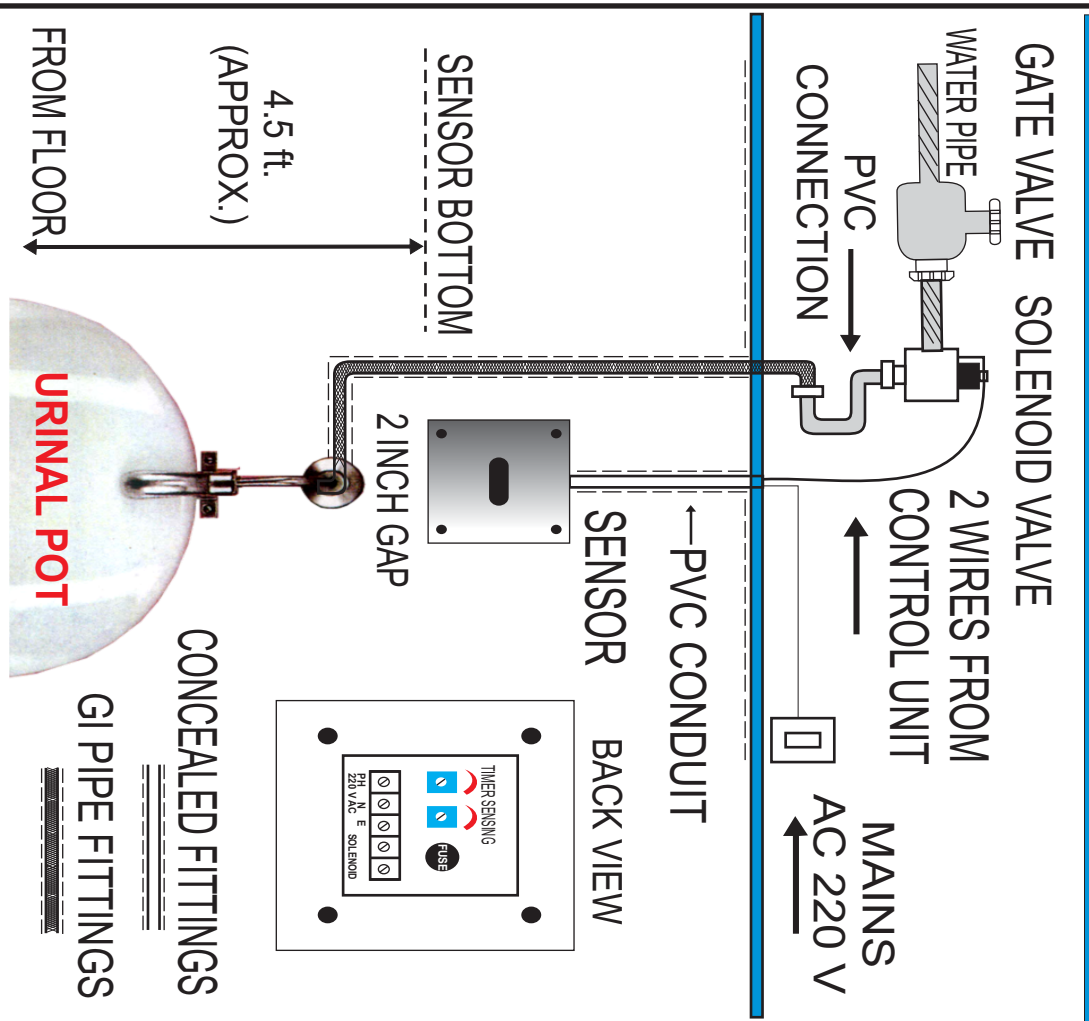
- INDCATORS** -
- 1. YELLOW - SENSING ON
  - 2. YELLOW STARTS BLINKNG - READY FOR FLUSH
  - 3. RED - FLUSHING

Your BPE Electrical Auto Flush is ready for use now !.

### **FOR CLEANING OF VALVE ( If Water Flow is minimised or very less) :**

Open the inlet of the Solenoid Valve and take out the filter net from the valve by a plier or clip, clean & refit the filter net and the valve. Thus, the water flow is restored so easily !

# INSTALLATION DIAGRAM FOR BPE URINAL SENSORS, MODEL : BP-U105



## GUIDELINES

1. Proper Earth must be confirmed.
2. Clean all pipelines thoroughly before connecting Solenoid.
3. Use Teflon Tape for sealing the joints.
4. Do not apply undue pressure on Solenoid Valve while tightening

Do not install within one feet of any light source such as bulb or CFL directly above or in front of the sensor. It may reduce sensing range.

