


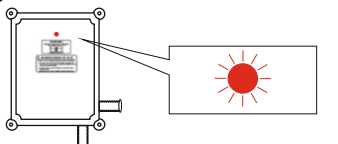
CONNECTION DIAGRAM OF CONTROL UNIT :-



Battery Pack

1. Open cover to reach battery pack
2. Use only 4xAA size alkaline batteries
3. Screw back cover properly to avoid water leakage
4. Please use "Duracell" (Excell) alkaline batteries or equivalents, do not use different batteries together.

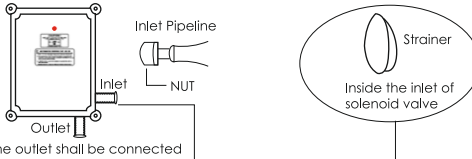
LIGHT NOTIFICATION



A red indicator is present to indicate the sensing on sensor tap. It blinks everytime when anything comes under the sensing range. It is a notification light which tells that sensor is in working condition.

HOW TO CLEAN THE STRAINER

The strainer may be clogged when the sensor is initially used or when the sensed flushing amount is reduced, please clean it promptly. Do remember to turn off the water supply before cleaning the strainer.

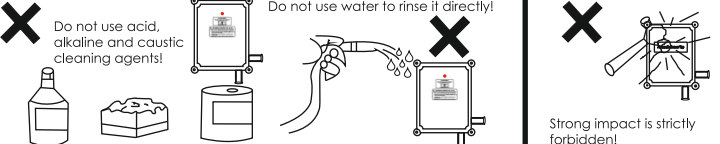


Inlet Pipeline
Inlet NUT
Outlet

The outlet shall be connected to the inlet of the faucet

Strainer
Inside the inlet of solenoid valve

ROUTINE CARE AND MAINTENANCE



Do not use acid, alkaline and caustic cleaning agents!

Do not use water to rinse it directly!

Strong impact is strictly forbidden!

CUSTOMER SUPPORT :-

AFTER-SALES SERVICE
Our Customer Support Team is comprehensively trained to provide help and advice, spare parts or a service visit.

SPARE PARTS
We maintain an extensive stock of spares and aim to have functional parts available for ten years from the date of final manufacture of the product. Spares can be purchased from approved stockists or merchants (locations on request) or direct from our Customer Support Department. Spares direct will normally be dispatched within two working days.

NOTE
In the interest of safety, spares requiring exposure to mains voltages can only be sent to qualified persons.

SERVICE
Our Customer Support Team is available to provide quality service at a reasonable cost. You will be assured of the services of a trained engineer / agent, genuine spares and a 3-month warranty on the repair.

A PRODUCT PROUDLY DESIGNED & MANUFACTURED IN INDIA



AUTOMATIC SENSOR FAUCET (Wall Mounted)



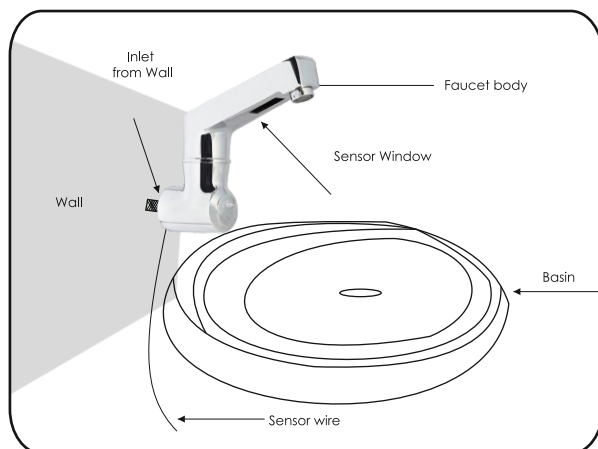
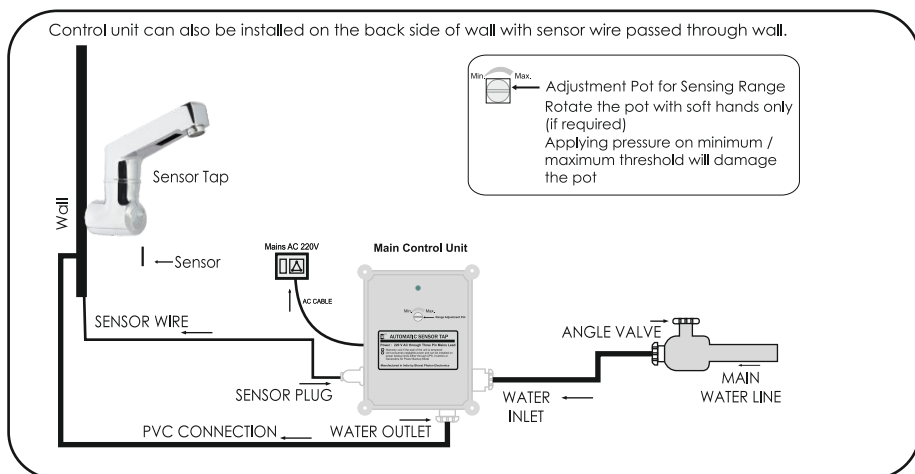
INSTALLATION & OPERATION MANUAL

1. Designed and manufactured in India to automatically wash hands without the need to touch the tap.
2. An essential and dependable component in every washroom to maintain proper hygiene.
3. Simultaneously instrumental to help reduce water wastage.
4. Prevents the spread of germs due to physical contact of tap.
5. Ensures no one leaves the tap running after use as water flows only for the duration when hand is in front of the sensor.
6. A true Indian product that confirms to Green Building Standards.
7. Reduces carbon footprint & saves considerable amount of operational costs as compared to Manual Taps.

SPECIFICATIONS :-

MODEL	BP-F072
POWER	6 V DC
SENSING RANGE	150mm Adjustable
WATER PRESSURE	0.02 MPa - 0.8 Mpa *0.05 Mpa is minimum required pressure for decent flow of water
INLET	G1/2" (Dn15)
SETTINGS	Sensing range adjustment pot given at control unit ▶ By default range is preset at optimum value ▶ Alter setting only if necessary

INSTALLATION DIAGRAM :-



*Water is Precious, Hygiene is Prime
Care for Water, Care for Yourself*

Dear Users:

We thank you for your selection of our company products. Please contact our customer care in case of any trouble. We are always eager to assist you.

Automatic Sensor Faucet Troubleshoot Flowchart

